



# ADDITIONAL PRODUCTS

## Liquid Impregnation Systems

### Type Tank

The liquid impregnation system has a plastic tank of 100 litres with a pump and motor. It includes an automatic time delay counter and an electrical panel with hoses, nozzle and impregnation pipe. The system is completely integrated for automatic dosing inside the batch blender type.

Type Tank

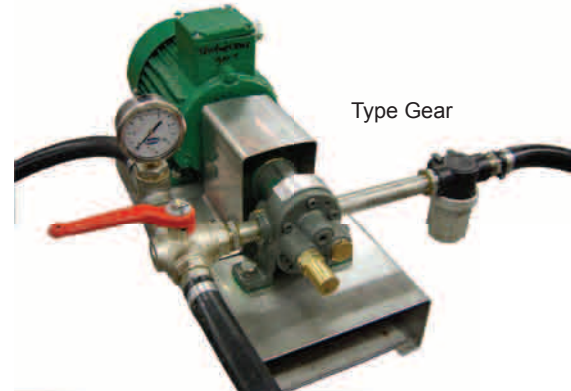


### Type Gear

This pump is electrically operated and is adjustable in capacity by changing the speed of the pump motor by a frequency transformer. Starting and stopping of the pump is regulated with the electrical panel. The spray system is integrated on the incline blending auger.

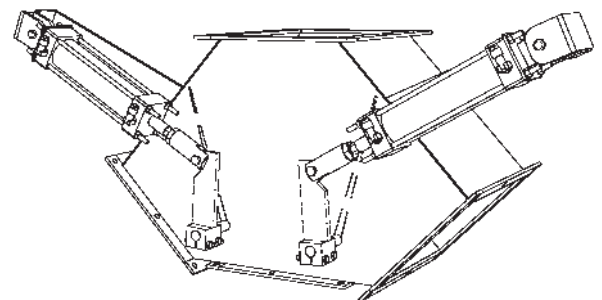
The pipes and nozzles are constructed out of Stainless steel. The pump itself sucks the impregnation liquid out of a 200 litre drum.

Type Gear



### 3 Way Divider

Stainless steel 3 way-valve to divide the direction of the product to the small bag line 1 and small bag line 2 and bulk. Constructed out of Stainless steel and with 2 pneumatic cylinders constructed from Fibreglas with Stainless steel shaft.



### 2 way Divider

Stainless steel 2 way-valve to divide the direction of the product to 2 different directions. Constructed out of Stainless steel and with 1 pneumatic cylinder with a Stainless steel shaft.

